

TWO-OVEN GAS RANGE

QUEST Model QGR 2

QUEST Heavy Duty Gas Ranges, made in Canada for over 75 years, are feature packed, yet moderately priced. They have proven their worth due to superior oven performance, durability with rigorous use and economy of operation. The QGR-2 is available in four traditional top configurations utilizing our standard "Chef Centre" components. Built in volume, not custom, for ultimate value.



QGR 2
MODEL WITH OPTIONAL HIGHBACK, SHELF AND CASTERS

Product Features

- Heavy-duty welded construction
- SS front and sides for ease of cleaning and appearance
- 72" (1829) width with four top configurations
- Full size SS oven (Standard or Convection)
- Positive closing and trouble free counterbalanced oven door
- No springs to service or replace
- All SS oven cavity-durable and easy to clean
- 6" adjustable heavy duty legs with flanged feet

Optional Features

- Convection oven with two-speed fan
- Two open burner extension (range 84" overall)
- Heat shields for protection of vinyl floors
- Knob guards
- SS linear grates (replaces 2 OB cast grid)
- Casters (fixed and adjustable height)
- Various back and shelves available
- Flexible gas connector kit

Choose from two oven options



"The Quest for the Best Ends at Quest"

questmetal.com

Quest

Choose from a selection of popular range top configurations.

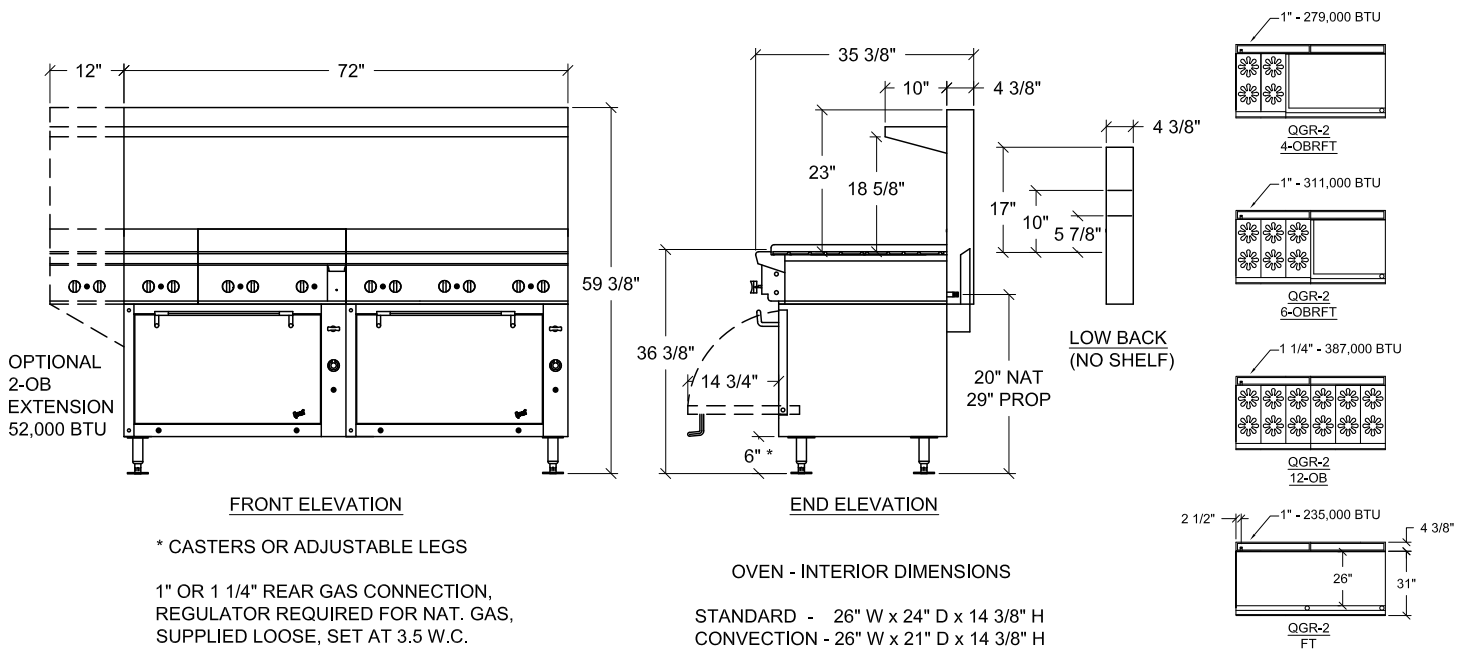
| TOP | MODEL | BTU RATING | GAS CONNECTION | SHIPPING WEIGHT |
|-----|--|------------|----------------|-----------------|
| | 40B- (R or L)FT Four Open Burner. Right or Left Fry Top | 279,000 | 1" | 1180lbs / 535kg |
| | 60B- (R or L)FT Six Open Burner Right or Left Fry Top | 311,000 | 1" | 1160lbs / 526kg |
| | 120B Twelve Open Burner | 387,000 | 1 1/4" | 1020lbs / 463kg |
| | FT Fry Top 72" wide grill | 235,000 | 1" | 1290lbs / 585kg |

Optional Features

| TOP | MODEL | BTU RATING | GAS CONNECTION | SHIPPING WEIGHT |
|---|---------------------------------|------------|-------------------|-----------------|
| Two Burner Extension An extra handy 12" extension, on left or right. In 2 open burner. | | | | |
| | EXT20B 2 OB Extension | 52,000 | 1 1/4" with range | 75lbs / 34kg |

Optional Backs Available

- High Back and single solid or tubular shelf
- High Back and double solid or tubular shelf
- Low Backs (no shelf) 6", 10", or 17" high



NOTE: Dimensions are accurate at time of publication but subject to change without notice. If sizes are critical consult the factory.



QUEST Metal Products Limited
 889 Erin St, Winnipeg, MB R3G 2W6
 Tel: 204.786.2403 Fax: 204.783.7598
 Email: sales@questmp.ca

Distributed in Canada by:
 Russell Food Equipment Ltd.
russellfood.ca