

REFRIGERATED DRAWER BASE

QUEST Model QRB

The QUEST QRB is constructed with heavy-duty SS self-closing drawers that accept “standard food insert” drawer liners. The all stainless steel liner with “Cold Wall” refrigeration limits air movement, keeping products from drying out and ensures low maintenance. A remote compressor is required.



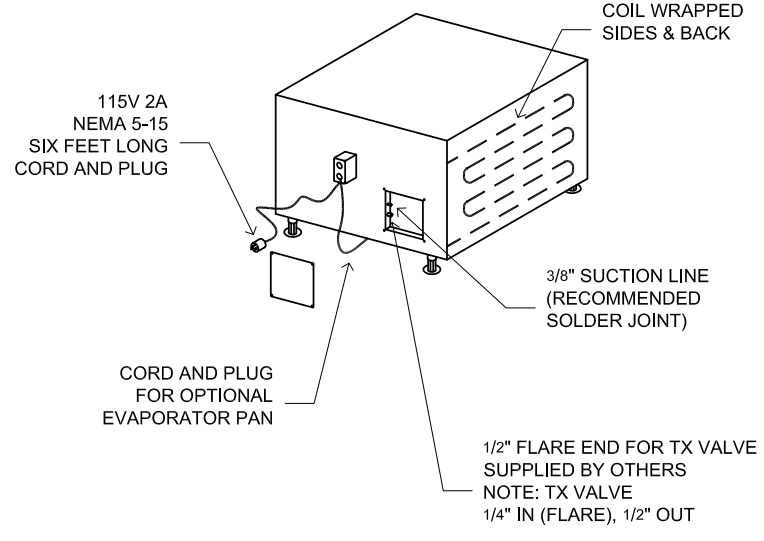
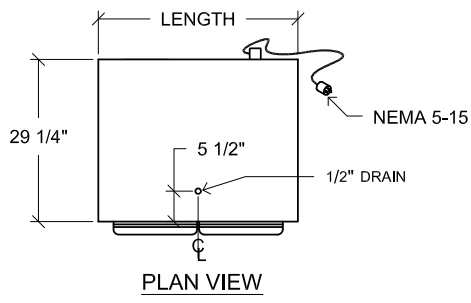
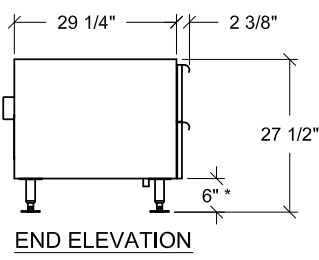
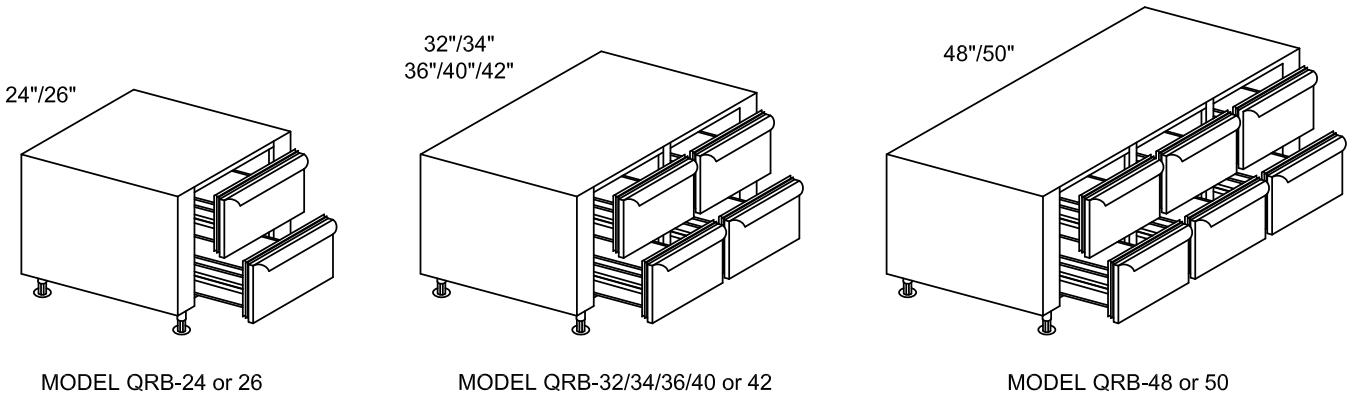
Product Features

- Cold wall refrigeration, prevents drying of product
- All SS liner
- Heavy duty all SS drawers
- Single width drawers maximize efficiency
- SS drawer slides, self-closing, with SS bearings
- Drawers accept full size by 6" deep hotel pans
- All drawers notched for optional divider bar
- Pop out gaskets are easy to clean or replace
- SS front and sides
- Modular design is compatible with the Chef Centre

Optional Features

- SS top
- Casters (fixed and adjustable height)
- Evaporator pan
- Centre divider bars to accommodate 1/2 size inserts
- Double wide drawers

Quest- Refrigerated Drawer Base



- * CASTERS OR ADJUSTABLE LEGS
- DRAWERS ACCOMMODATE 12"x20"x6" LINER SUPPLIED BY OTHERS

REMOTE COMPRESSOR NOT INCLUDED
ACCESS HOOK UP FROM OUTSIDE REAR OR REMOVE DRAWER AND ACCESS FROM FRONT

MODEL	# OF DRAWERS	OVERALL DIMENSIONS (mm)			BTU'S	ELECTRICAL	SHIPPING WEIGHT	
		WIDTH	DEPTH	HEIGHT			LBS	KGS
QRB 24	2	24" (609)	29¼" (743)	27½" (699)	1200	115V- 2A	125	57
QRB 32	4	32" (813)	29¼" (743)	27½" (699)	1600	115V- 2A	135	61
QRB 34	4	34" (864)	29¼" (743)	27½" (699)	1700	115V- 2A	140	64
QRB 36	4	36" (914)	29¼" (743)	27½" (699)	1800	115V- 2A	145	66
QRB 40	4	40" (1016)	29¼" (743)	27½" (699)	2000	115V- 2A	150	68
QRB 42	4	42" (1067)	29¼" (743)	27½" (699)	2100	115V- 2A	155	70
QRB 48	6	48" (1219)	29¼" (743)	27½" (699)	2400	115V- 2A	165	75
QRB 50	6	50" (1270)	29¼" (743)	27½" (699)	2500	115V- 2A	170	77

NOTE: Dimensions are accurate at time of publication but subject to change without notice. If sizes are critical, consult the factory.



QUEST Metal Products Limited
 889 Erin St, Winnipeg, MB R3G 2W6
 Tel: 204.786.2403 Fax: 204.783.7598
 Email: sales@questmp.ca

Distributed in Canada by:
 Russell Food Equipment Ltd.
russellfood.ca