

HOT TOP

QUEST Model QGMHT

Available in 18" (457 mm) and 36" (915) widths. Rugged cast iron top with removable ring sections is ideal for heavy stockpot work where extreme heat is required for fast boiling and gentle, even heat is needed for simmering.



QGMHT 18
MODEL ILLUSTRATED

Product Features

- Rugged cast top studded under for maximum heat transfer
- Super hot top, excellent for large stockpot boiling
- Removable rings allow for direct flame contact
- Dual rings to accommodate varying pot sizes
- Powerful front fired jet burners
- 40,000 BTUH per 18" (457) section
- Simple manual control valve
- SS body for ease of cleaning and durability
- Heavy duty all welded construction
- Low profile 8½" (216) easily incorporates into Chef Centre
- Available in 18" (457) modular sections, combine for greater lengths
- Great performance with low maintenance

Optional Features

- Front condiment rail, plating shelf or "Belly Bar"
- Knob guards
- Flexible gas connector kit
- Adjustable counter legs
- Backs 6" (152), 10" (254) or 17" (432) high

Choose the perfect type of optional base for your Quest Hot Top to suit your needs: (See separate catalog pages)



Model EST
SS Tubular Stand (with or without shelf)



Model ESA
SS Cabinet Base (with or without doors)



Model QRB
Refrigerated Drawer Base



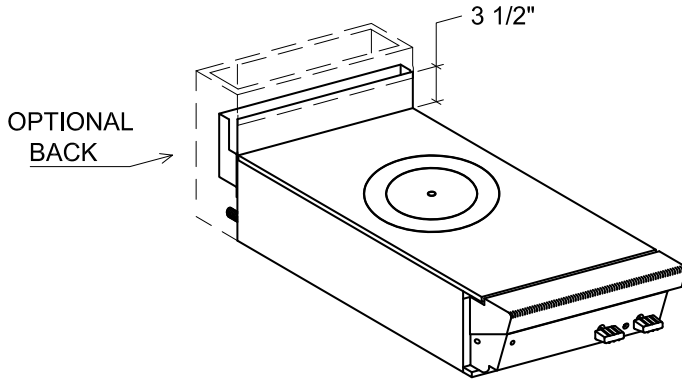
Model QGRO & QGCO
Standard and Convection Oven

"The Quest for the Best Ends at Quest"

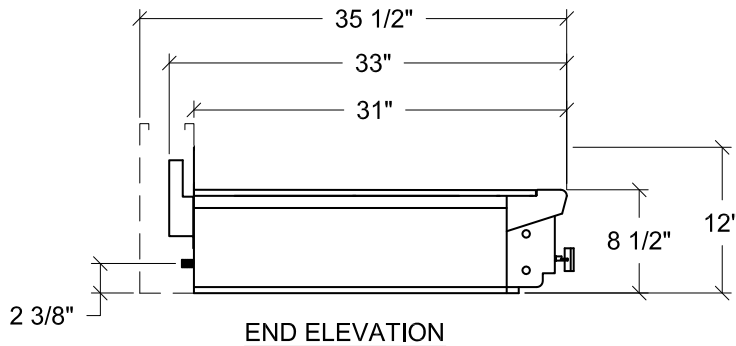
questmetal.com

Quest

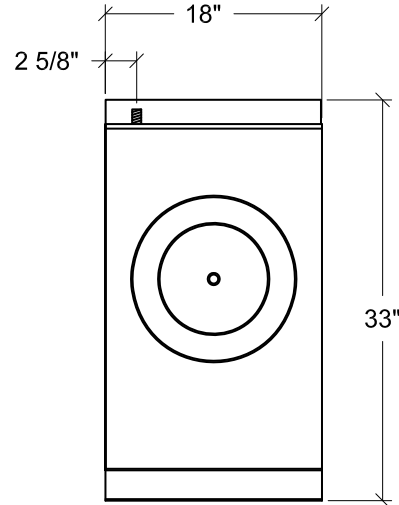
Quest- Hot Top



**MODEL QGMHT-18
HOT TOP SHOWN**



END ELEVATION



PLAN VIEW

3/4" REAR GAS CONNECTION,
REGULATOR REQUIRED FOR NAT. GAS,
SUPPLIED LOOSE, SET AT 3.5 W.C.

MODEL	WIDTH (mm)	DEPTH (mm)	BODY HEIGHT (mm)	BTU'S	GAS LINE	SHIPPING WEIGHT	
						LBS	KGS
QGMHT-18	18" (460)	33" (840)	8 1/2" (216)	40,000	3/4" (19)	170	77
QGMHT-36	36" (915)	33" (840)	8 1/2" (216)	80,000	3/4" (19)	340	154

Installation Notes

- Specify natural gas or propane
- Unit requires 6" (150 mm) clearance from combustible walls at back and sides
- 3/4" (19 mm) gas connection at rear (ideal for flexible gas connection)



NOTE: Dimensions are accurate at time of publication but subject to change without notice. If sizes are critical consult the factory.



QUEST Metal Products Limited
889 Erin St, Winnipeg, MB R3G 2W6
Tel: 204.786.2403 Fax: 204.783.7598
Email: sales@questmp.ca

Distributed in Canada by:
Russell Food Equipment Ltd.
russellfood.ca