

## ECONO SINK

### QUEST Model QES

QUEST Econo Sinks are CSA approved and fabricated entirely from T304 Stainless Steel. They are functionally designed with radius front and back compartments for ease of cleaning. Top rims are rolled, providing a softer edge for comfort and safety. These economy sinks provide heavy duty, quality construction at an affordable price.



QES-1 MODEL  
ILLUSTRATED

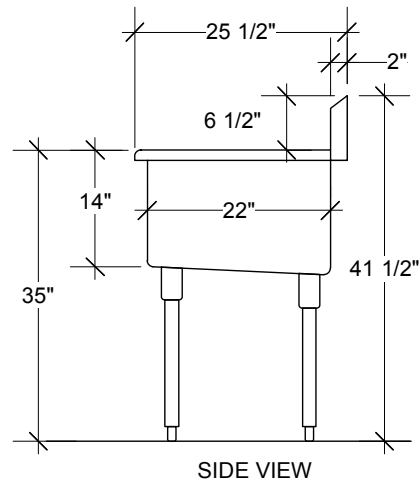
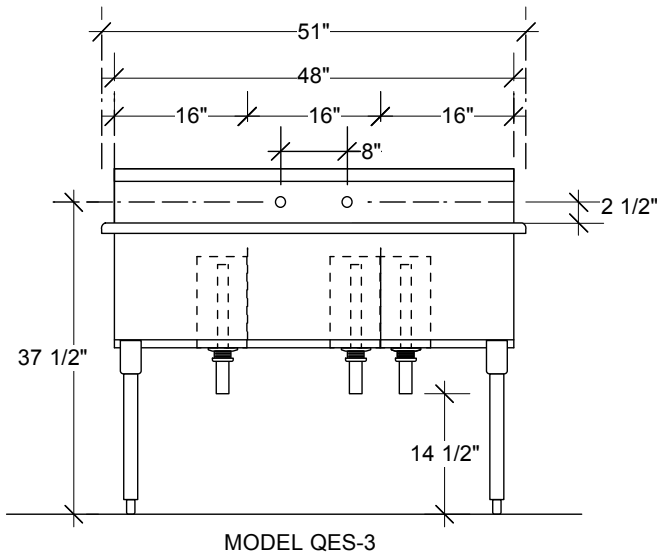
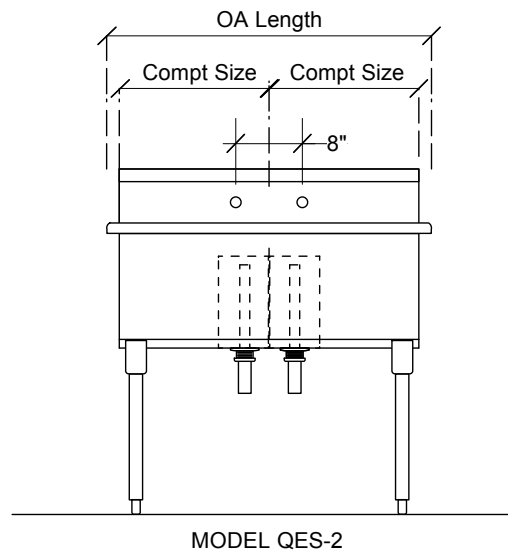
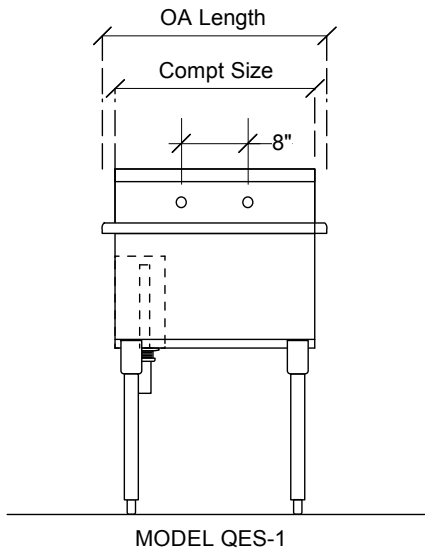
### Product Features

- CSA approved
- All heavy duty 16 gauge Stainless Steel construction
- 1½" (38) rolled rims on front and ends
- 6½" (165) splash back, 2" thick to conceal plumbing
- 1½" (38) corner wastes c/w SS overflow tubes
- Perforated SS corner screens
- Mounting holes for 8" (203) wall mount faucet
- 1 5/8" (41) SS tubing legs
- SS adjustable bullet feet

### Optional Features

- Removable drain boards 18" (457) & 24" (610)
- Faucets with 8" (203) or 12" (305) spout lengths

**Quest- Econo Sink**



**STANDARD MATERIALS— 16 GA. S/S No. 4 - STANDARD DEPTH— 14"(356)**

MODEL	COMPARTMENT SIZE	OVERALL SIZE (mm)			SHIPPING WEIGHT	
		LENGTH	WIDTH	HEIGHT	LBS	KGS
QES-1	(1) 18" x 22" (457x559)	21" (533)	25½" (648)	41½" (1054)	90	41
	(1) 24" x 22" (610x559)	27" (686)	25½" (648)	41½" (1054)	110	50
QES-2	(2) 18" x 22" (457x559)	39" (991)	25½" (648)	41½" (1054)	160	73
	(2) 24" x 22" (610x559)	51" (1295)	25½" (648)	41½" (1054)	215	98
QES-3	(3) 16" x 22" (406x559)	51" (1295)	25½" (648)	41½" (1054)	215	98

**NOTE:** Dimensions are accurate at time of publication but subject to change without notice. If sizes are critical consult the factory.



**QUEST Metal Products Limited**  
 889 Erin St, Winnipeg, MB R3G 2W6  
 Tel: 204.786.2403 Fax: 204.783.7598  
 Email: sales@questmp.ca

**Distributed in Canada by:**  
 Russell Food Equipment Ltd.  
[russellfood.ca](http://russellfood.ca)