

BAR SINK UNIT

QUEST Model BAR 60



LEFT HAND SINK
MODEL ILLUSTRATED

The standard version of the bar sink is all stainless steel construction with a single utility sink and faucet along with many other features listed below. This is QUEST's most popular design, providing maximum value and efficiency in a small space. Bar Units are also available in any size or configuration to meet your specific needs, making your bar sink a durable, efficient and easy to maintain station.

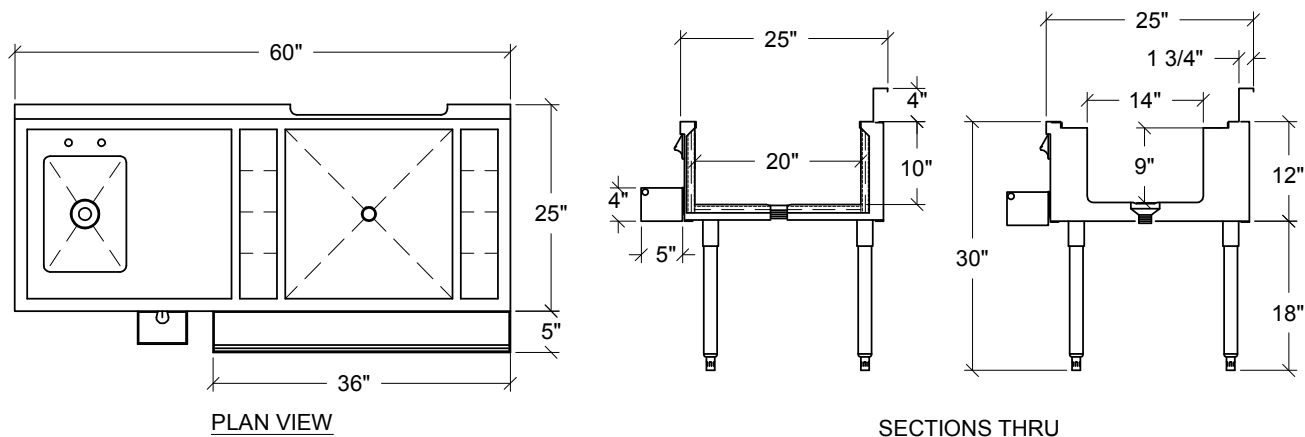
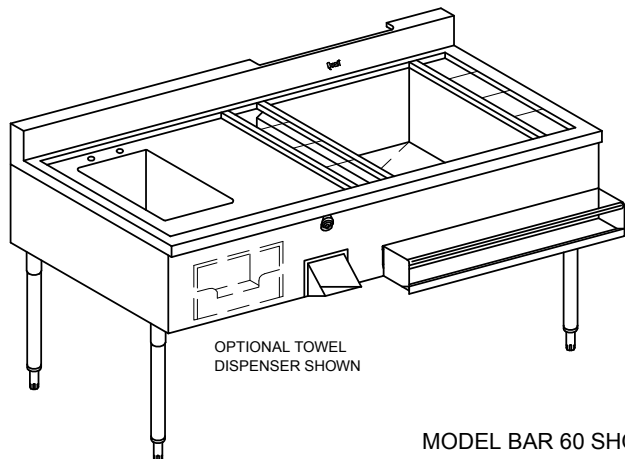
Standard Features

- All welded stainless steel construction
- Integral rear service chase
- Single utility sink and faucet (right or left end)
- 20" x 20" fully insulated ice bin
- Space for 8 rubber bottle holders (sold separately)
- Bottle opener/cap catcher
- Scrap chute
- 36" speed rail
- 4" back splash

Optional & Custom Features

- Rubber bottle holders
- Removable ice bin divider
- Removable perforated sump basket
- Fruit pan holder (top or back splash mount)
- Extras like paper towel dispenser and drop in bottle holder pans (single row or double row)
- Custom lengths
- 1, 2 or 3 sink compartments with faucet
- 18", 24", 30", 36", 42" or 48" speed rail

Quest- Bar Sink Unit



- HAND SINK 14"x10"x9"D WITH FAUCET
- INSULATED 20"x20"x10"D ICE BIN
- REAR SERVICE CHASE
- SPACE TO ACCOMMODATE 8 BOTTLE HOLDERS
- SCRAP CHUTE, BOTTLE OPENER AND CAP CATCHER
- 36" SPEED BOTTLE RAIL

STANDARD BAR UNITS

MODEL	OVERALL SIZE (mm)			SHIPPING WEIGHT	
	LENGTH	DEPTH	HEIGHT	LBS	KGS
BAR-60	60" (1524)	25" (635)	30" (762)	210	95

NOTE: Dimensions are accurate at time of publication but subject to change without notice. If sizes are critical consult the factory.



QUEST Metal Products Limited
 889 Erin St, Winnipeg, MB R3G 2W6
 Tel: 204.786.2403 Fax: 204.783.7598
 Email: sales@questmp.ca

Distributed in Canada by:
 Russell Food Equipment Ltd.
russellfood.ca