

## ONE-OVEN GAS RANGE

### QUEST Model QGR 1

QUEST Heavy Duty Gas Ranges, made in Canada for over 75 years, are feature packed, yet moderately priced. They have proven their worth due to superior oven performance, durability with rigorous use and economy of operation. The QGR-1 is available in three traditional top configurations utilizing our standard "Chef Centre" components. Built in volume, not custom, for ultimate value.



**QGR 1**  
MODEL WITH OPTIONAL HIGHBACK, SHELF AND CASTERS

### Product Features

- Heavy-duty welded construction
- SS front and sides for ease of cleaning and appearance
- 36" (915) width with three top configurations
- Full size SS oven (Standard or Convection)
- Positive closing and trouble free counterbalanced oven door
- No springs to service or replace
- All SS oven cavity-durable and easy to clean
- 6" adjustable heavy duty legs with flanged feet

### Optional Features

- Convection oven with two-speed fan
- Two open burner extension (range 48" overall)
- Heat shield for protection of vinyl floors
- Knob guards
- SS linear grates (replaces 2 OB cast grid)
- Casters (fixed and adjustable height)
- Various back and shelves available
- Flexible gas connector kit

### Choose from two oven options




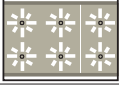

*"The Quest for the Best Ends at Quest"*

[questmetal.com](http://questmetal.com)


*Quest*

## Quest- One Oven Model

### Choose from a selection of popular range top configurations.

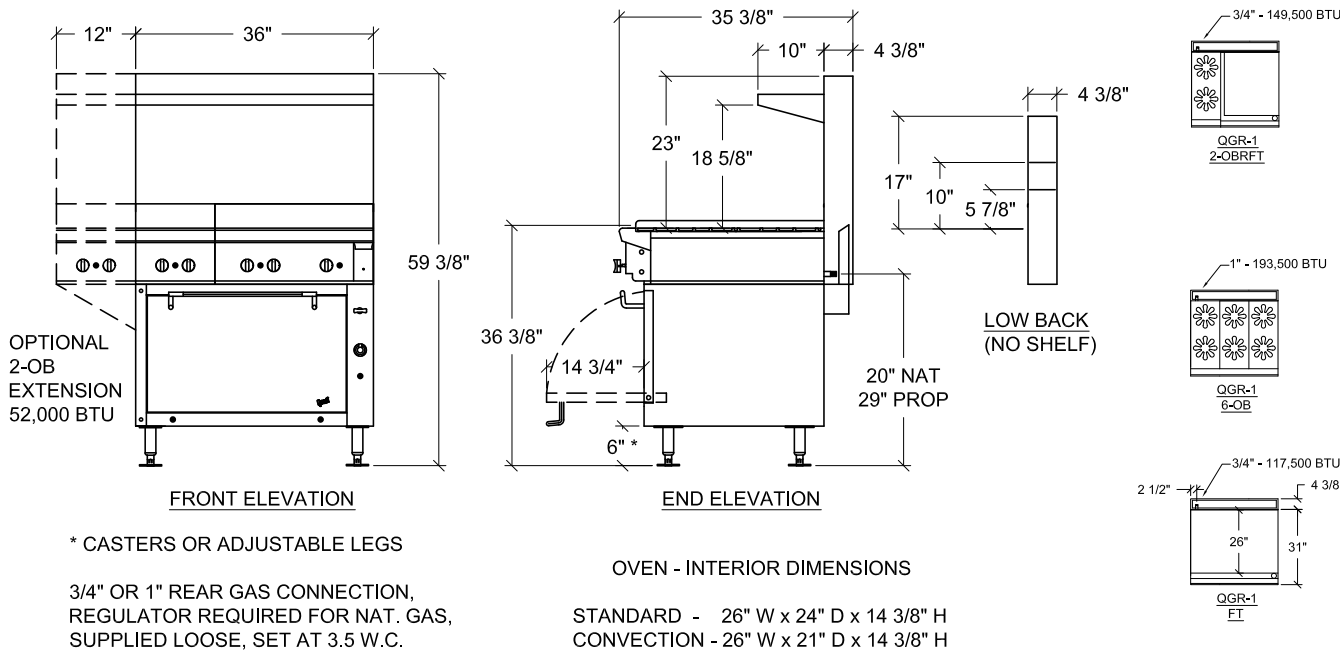
TOP	MODEL	BTU RATING	GAS CONNECTION	SHIPPING WEIGHT
	<b>20B- (R or L)FT</b> Two Open Burner. Right or Left Fry Top	149,500	3/4"	600lbs / 272kg
	<b>60B</b> Six Open Burner	193,500	1"	560lbs / 254kg
	<b>FT</b> Fry Top 36" wide grill	117,500	3/4"	620lbs / 281kg

### Optional Features

TOP	MODEL	BTU RATING	GAS CONNECTION	SHIPPING WEIGHT
<b>Two Burner Extension</b> An extra handy 12" extension, on left or right. In 2 open burner.				
	<b>EXT20B</b> 2 OB Extension	52,000	1" with range	75lbs / 34kg

### Optional Backs Available

High Back and single solid or tubular shelf
High Back and double solid or tubular shelf
Low Backs (no shelf) 6", 10", or 17" high



**NOTE:** Dimensions are accurate at time of publication but subject to change without notice. If sizes are critical consult the factory.



**QUEST Metal Products Limited**  
 889 Erin St, Winnipeg, MB R3G 2W6  
 Tel: 204.786.2403 Fax: 204.783.7598  
 Email: sales@questmp.ca

**Distributed in Canada by:**  
 Russell Food Equipment Ltd.  
[russellfood.ca](http://russellfood.ca)