

HEAVY DUTY GAS HOT PLATE

QUEST Model QGHP

QUEST stock pot stoves are perfect for rapid boiling of stock and simmering soups and sauces. Made with extra rugged cast top grid for superior durability and large stock pot support. Because of the stainless steel body, the gas hot plate is sanitary, attractive and easy to clean.



Product Features

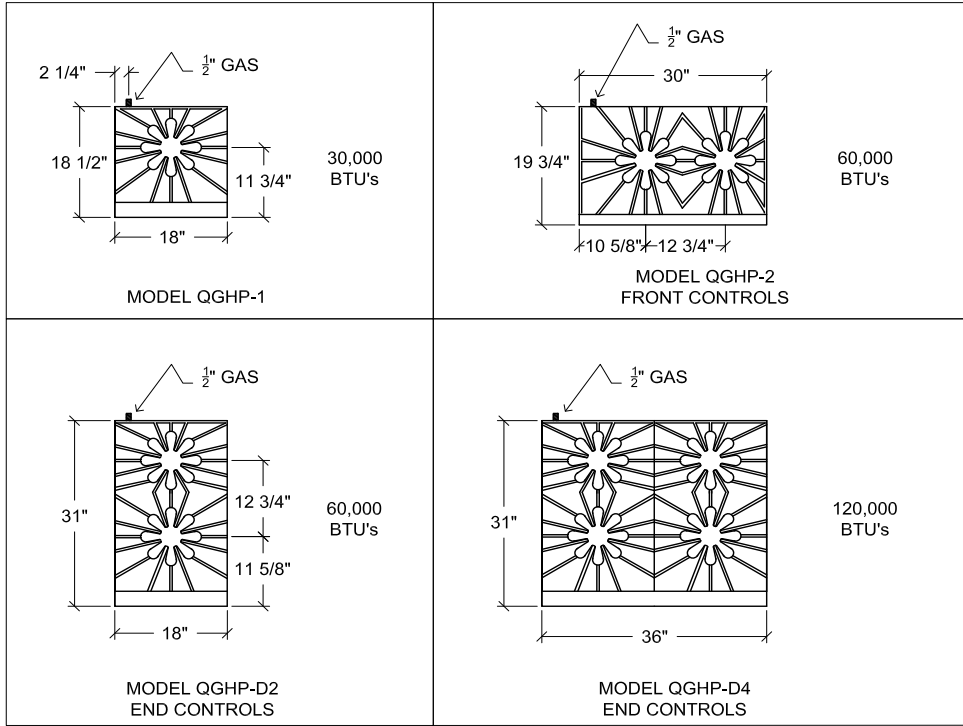
- Large, powerful star shaped burners for fast even efficient heat
- 30,000 BTU per burner
- Stainless steel body for ease of cleaning
- Drip Pan
- Adjustable feet
- Rugged construction

Optional Features

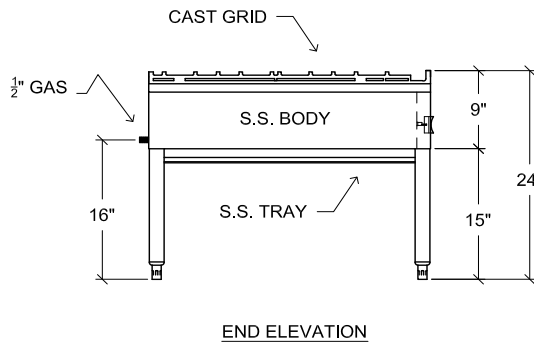
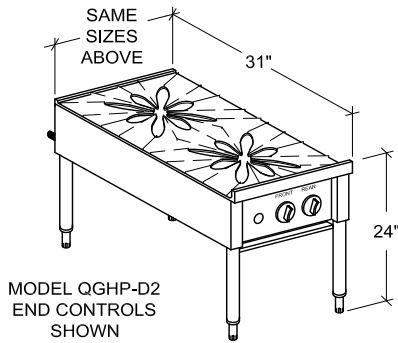
- Special height units
- SS linear grids

Quest- Heavy Duty Gas Hot Plate

PLAN VIEWS



NOTE: OTHER CONFIGURATIONS AVAILABLE - CONTACT FACTORY FOR DETAILS



APPROVED FOR INSTALLATION ON COMBUSTIBLE SURFACE WITH A MINIMUM CLEARANCE OF 12" TO THE SIDES AND 18" TO BACK FROM ADJACENT COMBUSTIBLE WALLS. OPTIONAL HEIGHT UP TO 36"

MODEL	NUMBER OF GRIDS	HEIGHT		GRID SIZE		BTU's	GAS LINE
		BODY	LEGS	DEPTH	WIDTH		
QGHP-1	1	9" (229)	15" (381)	18 1/2" (470)	18" (460)	30,000	1/2" (13)
QGHP-2	2	9" (229)	15" (381)	19 3/4" (502)	30" (762)	60,000	1/2" (13)
QGHP-D2	2	9" (229)	15" (381)	31" (790)	18" (460)	60,000	1/2" (13)
QGHP-D4	4	9" (229)	15" (381)	31" (915)	36" (915)	120,000	1/2" (13)

NOTE: Dimensions are accurate at time of publication but subject to change without notice. If sizes are critical consult the factory.



QUEST Metal Products Limited
 889 Erin St, Winnipeg, MB R3G 2W6
 Tel: 204.786.2403 Fax: 204.783.7598
 Email: sales@questmp.ca

Distributed in Canada by:
 Russell Food Equipment Ltd.
russellfood.ca