

Quest

SERVERY EQUIPMENT

BUFFET — “ECONO-MOBILES”

PROUDLY PRESENT YOUR BUFFET AT EXTREMELY AFFORDABLE PRICES. ATTRACTIVE AND DURABLE WOOD GRAIN OR BLACK VINYL FINISH ON BODY WITH SANITARY STAINLESS STEEL TOPS.



ILLUSTRATED:

QCP - 4 EMW (WOOD GRAIN) c/w
DOUBLE-SIDED SNEEZEGUARD
& FLUORESCENT LIGHT

RET - 4 EMW (WOOD GRAIN) c/w
DOUBLE-SIDED SNEEZEGUARD
& POT-TYPE HEAT LAMPS



HOT FOOD (RET-EMW OR EMB)

- 500 WATT - DRY WELLS
- INDIVIDUALLY HEATED & CONTROLLED
- 6' CORD AND PLUG
- CONVENIENT 120 VOLT OPERATION
 - 15 AMP - 2 & 3 WELL (STD. WALL OUTLET)
 - 20 AMP - 4 WELL
- VARIETY OF SIZES: 12" x 20" (305 x 510) WELLS
 - RET - 2 EMW OR EMB (2-WELL) - 31" (785)
 - RET - 3 EMW OR EMB (3-WELL) - 45" (1145)
 - RET - 4 EMW OR EMB (4-WELL) - 59" (1500)

COLD FOOD (QCP-EMW OR EMB)

- INSULATED STAINLESS STEEL ICE PAN
- 1/2" (50) DRAIN c/w BALL VALVE
- OPTIONAL PERFORATED STAINLESS STEEL FALSE BOTTOM (AT REASONABLE ADDITIONAL COST)
- VARIETY OF SIZES:
 - QCP - 3 EMW OR EMB - 45" (1145)
 - QCP - 4 EMW OR EMB - 59" (1500)

STANDARD FEATURES - BOTH HOT AND COLD UNITS

- ATTRACTIVE DURABLE WOOD GRAIN OR BLACK VINYL LAMINATED ON HEAVY (20 GA.) STEEL
- 29" (735) WIDTH - ACCESS THROUGH ANY DOOR
- QUALITY 4" (100) DIAMETER CASTERS - 2 c/w BRAKES

OPTIONAL EXTRAS - BOTH HOT AND COLD UNITS

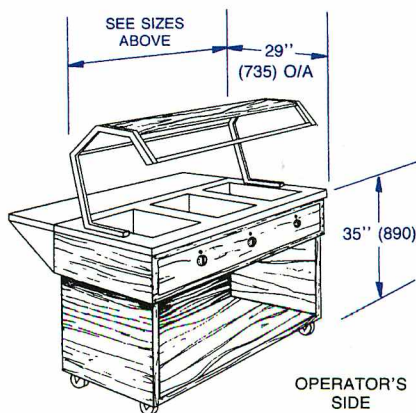
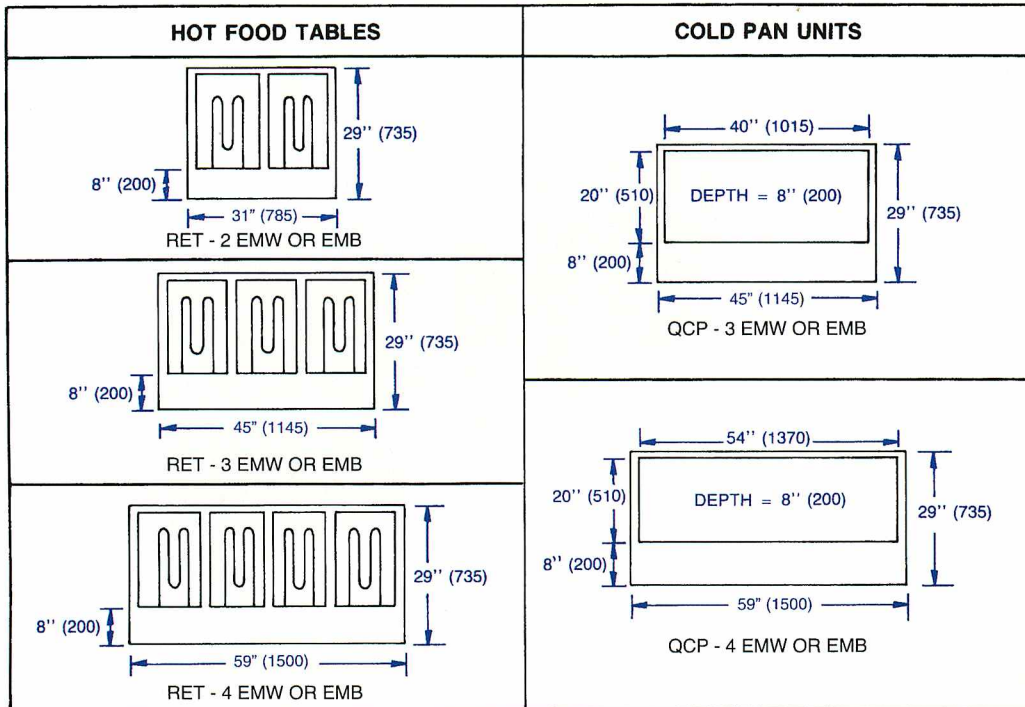
- SINGLE OR DOUBLE-SIDED PLEXIGLAS SNEEZEGUARDS
- HEAT OR DISPLAY POT LIGHTS IN COPPER OR ALUMINUM FINISH SHADE
- FLUORESCENT LIGHTING
- REMOVABLE 8" (200) WIDE STAINLESS STEEL PLATE SHELF
- REMOVABLE LOWER STORAGE ENCLOSURE PANEL

BUFFET - "ECONO-MOBILES"

MODEL	WIDTH	DEPTH	HEIGHT	WATTAGE/VOLTAGE	SHPG. WTS.
RET 2 EMW OR EMB	31" (785)	29" (735)	35" (890)	1000/120	270 (125)
RET 3 EMW OR EMB	45" (1145)	29" (735)	35" (890)	1500/120	360 (165)
RET 4 EMW OR EMB	59" (1500)	29" (735)	35" (890)	2000/120	450 (205)
QCP 3 EMW OR EMB	45" (1145)	29" (735)	35" (890)	N/A	360 (165)
QCP 4 EMW OR EMB	59" (1500)	29" (735)	35" (890)	N/A	450 (205)

NOTE: 4 WELL HOT FOOD UNITS REQUIRE SPECIAL 20 AMP RECEPTACLE

BASIC DESIGN FOR DRY HEAT OPERATION. FOR WET, A CONVERTA PAN IS REQUIRED.
NOTE: INSERTS ARE NOT INCLUDED.

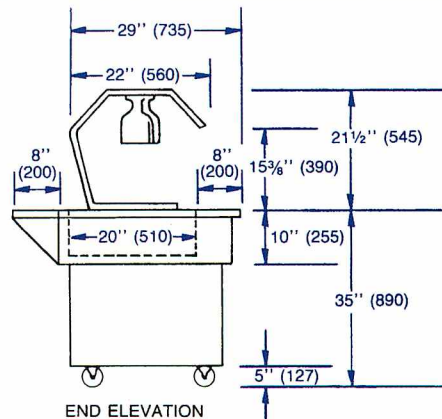


DOUBLE-SIDED SNEEZEGUARD (OPTIONAL)

POT-TYPE HEAT LAMPS (OPTIONAL)

PLATE SHELF REMOVABLE (OPTIONAL)

HOT OR COLD WELL



NOTE: Dimensions shown are accurate at time of printing but subject to change without notice. If sizes are critical, consult your Russell representative or the factory.



Quest METAL PRODUCTS LIMITED

949 Erin St., Winnipeg, Manitoba R3G 2W6
Tel: (204) 786-2403 Fax: (204) 783-7598

Distributed in Canada by:

RUSSELL Food Equipment

Victoria / Vancouver / Edmonton / Calgary / Regina
Saskatoon / Winnipeg / Thunder Bay / Sault Ste. Marie
Toronto / London / Windsor / Ottawa / Montréal / Halifax